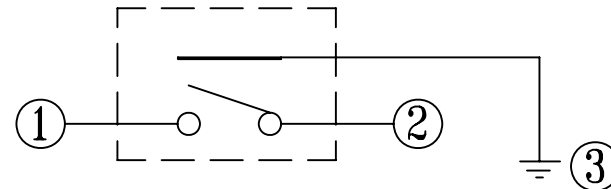
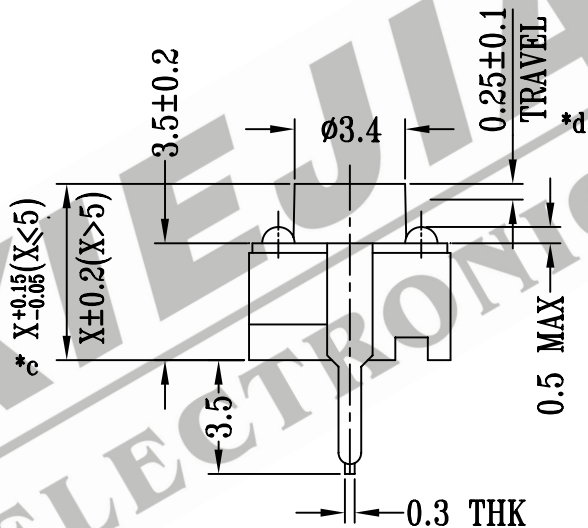
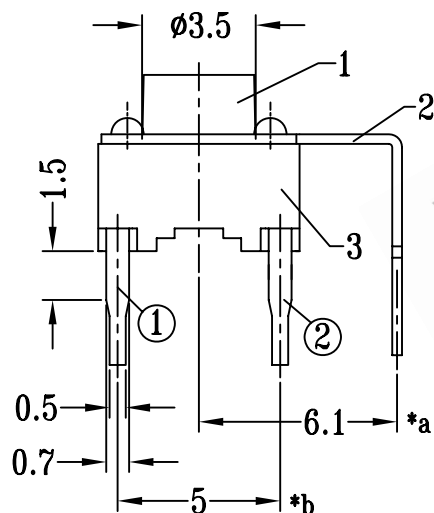
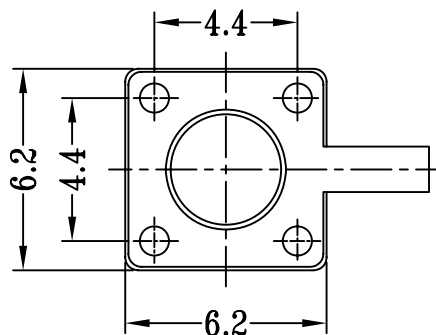
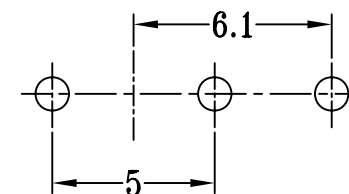


CAD FILE:



SCHMATIC



P.C.B LAYOUT

TC-0419	12.5
TC-0418	9.5
TC-0416	8.0
TC-0415	7.3
TC-0414	7.0
TC-0413	5.0
TC-0412	4.3
FOR MODEL	X

OPERATING FORCE	CODE
100gf	T
120gf	S
130gf	V
160gf	X
170gf	W
190gf	Y
250gf	Z

注:带"\*"表示关键尺寸(4个)

NO.	PART NAME	MATERIAL	QTY	FINISHING	TOLERANCE UNLESS SPECIFIED	SHENZHEN XIEJIA ELECTRONICS CO.,LTD.			
8									
7									
6									
5					WITHIN: 1.5±0.1mm OVER : 1.5±0.2mm	ISSUE	DATE	DESCRIPTIONS	APPD
4	CONTACT	NYLON/0.3mm BRASS STRIP	1	BLACK/Ag PLATED	TITLE: TACT SWITCH	UNIT : MM		DRWG NO.: XJ-DR-TC0412-00	
3	CASE	SEE CONTACT CHART	1	Ag CLAD	MODEL: TC-0412~0419	SCALE: 4 : 1	DWN	ZHOUYU	2003-5-21
2	COVER	PET/0.3mm ZINC PLATE	1	SEE COVER CHART			CHK'D	FANGYING	2003-5-21
1	KNOB	NYLON/POM	1	SEE KNOB CHART	ALL MATERIALS MUST BE COMPLIANT TO ROHS				